



Fan options: a) Standard fan b) temperature controlled fan c) Papst fan

## FEATURES

- 450W peak power (10 sec) and 400W continue Medical ATX power supply with Active PFC for Medical equipment application up to 50°C
- Power Good/Power Fail signal
- +5V Stand by & Remote On/Off
- Thermal protection
- Design to meet ATX 12V V2.0

## 1. Description

MPM-842P is a 450W peak power and 400W continue ATX power supply with active PFC for medical equipment application. It meets IEC 60601-1, UL 60601-1, and EN 60601-1 medical standards.

Output Voltage	Mini. Output Current	Rated Output Current	Max output Current <sup>(Note 1)</sup>	Peak output Current <sup>(Note 2)</sup>	Line Regulation	Load Regulation	Ripple & Noise p-p <sup>(Note 3)</sup>	Initial Setting Accuracy <sup>(Note 4)</sup>
+5V	1A	16A	21A		±1%	±5%	50mV	4.75V to 5.25V
+12V	1A	21A	22A	25A	±1%	±5%	120mV	11.4V to 12.6V
-12V	0A	0.5A	1A		±1%	±10%	120mV	-10.80V to -13.20V
+3.3V	0.5A	16A	12A		±1%	±5%	50mV	3.14V to 3.47V
+5Vsb	0A	0.75A	1.5A		±1%	±5%	120mV	4.75V to 5.25V

**Total Output Power:** 450W peak and continue at 400W at 50°C environment temperature<sup>(Note 5)</sup>.

Note: 1) The maximum total combined output power on the +3.3V and +5V rails is 150W.

2) +12V Peak current cannot over 10 seconds.

3) Measured by a 20MHz bandwidth limited oscilloscope and the each output is connected with a 10µF Electrolytic Capacitor and a 0.1µF Ceramic Capacitor, output at rated load and nominal input, and environment at 25°C.

4) Initial Setting Accuracy is at Input 110VAC and all output at 60% rated load.

5) The total DC continuous power shall be kept with 400W and peak power at 450W for maximum 10 seconds at input voltage at 100-264VAC. With input voltage 90~99VAC the total DC continuous power shall be kept with 300W max. It is 150W maximum for 3.3V and 5V combined output power.

## 2. Input Specification

Parameter	Conditions/Description	Min.	Nom.	Max.	Units
Input Voltage-AC	Continuous input range.	90	115/230	264	VAC
Input Frequency	AC input.	47		63	Hz
Hold Up Time	Nominal AC Input Voltage (115VAC/230VAC), rated load.	16			ms
Input Current	Nominal AC Input Voltage (90VAC), rated load.			8	A
Inrush Current	Nominal AC Input Voltage (115VAC/230VAC), one cycle at 25°C.			40/80	A
Input Protect	Non-user serviceable internally located AC input L and N fuses.				

## 3. Output Specification

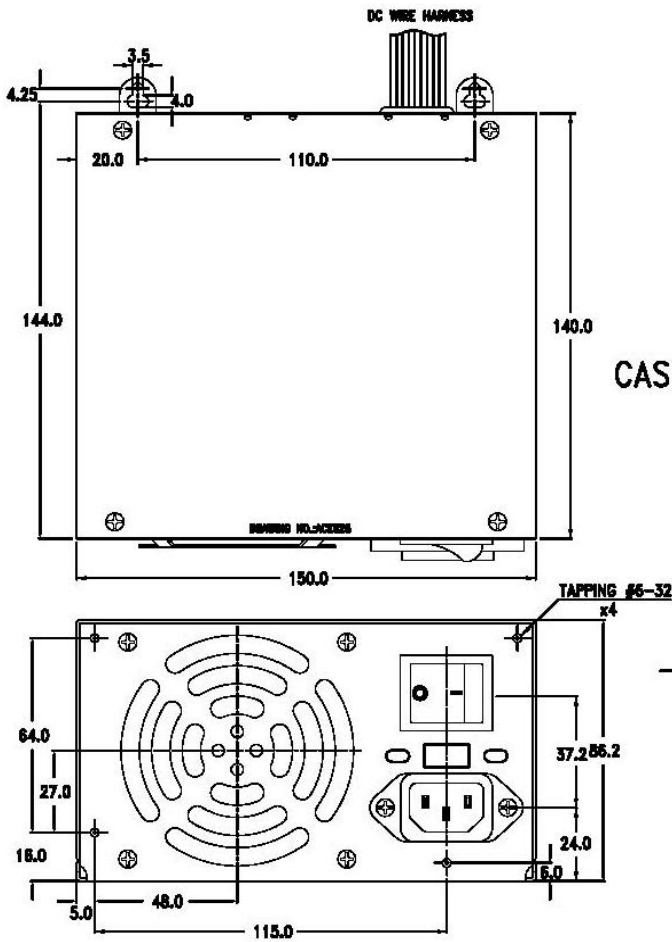
Parameter	Conditions/Description	Min.	Nom.	Max.	Units
Efficiency	Rated load, 115VAC. Varies with distribution of loads among output.		75		%
Minimum load					See Chart of Description
Line Regulation	Less than ±1% at rated load with ±10% changing in input voltage.				See Chart of Description
Load Regulation	Measured from 60% to 100% rated load and from 60% to 20% rated load (60% ±40% rated load) for each output, and others voltage setting at 60%.				See Chart of Description



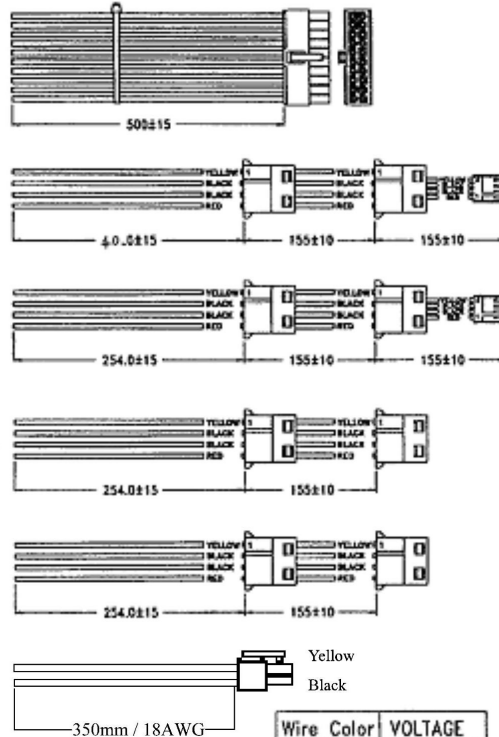


ATX 24 pole (866-TX24) From ALEX 9358-20 (20 pole) to ALEX 9357-24 (24 pole) Length 115 mm

Dimension



CASE



Wire Color	VOLTAGE
ORANGE	3.3V
RED	5V
YELLOW	12V
BLUE	-12V
GREY	P.G
WHITE	-5V
BLACK	GND
PURPLE	+5Vsb
GREEN	POWER ON